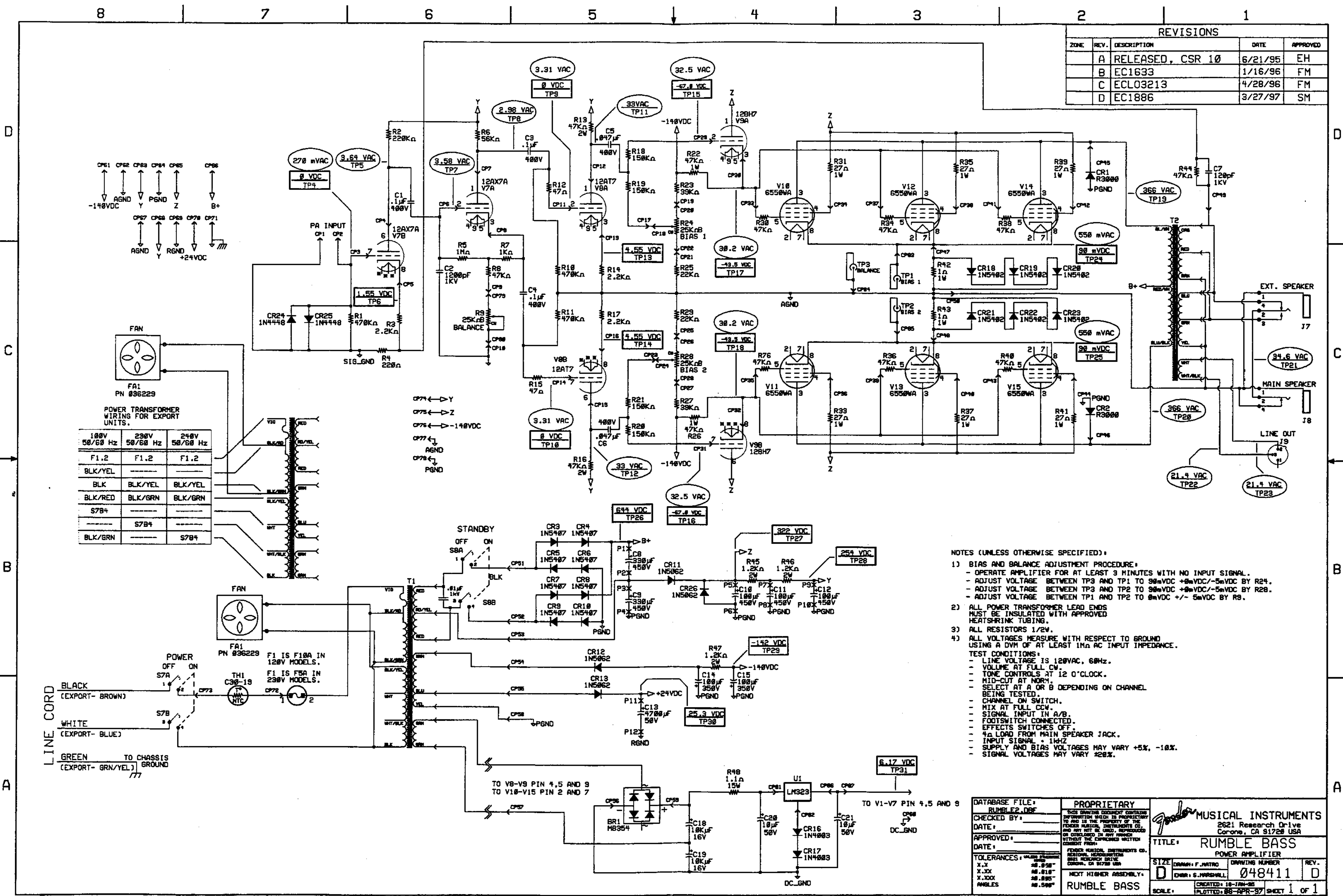


REVISIONS				
ZONE	REV.	DESCRIPTION	DATE	APPROVED
	A	RELEASED, CSR 10	6/21/95	EH
	B	EC1633	1/16/96	FM
	C	ECL03213	4/28/96	FM
	D	EC1886	3/27/97	SM



POWER TRANSFORMER WIRING FOR EXPORT UNITS.

	100V 50/60 Hz	230V 50/60 Hz	240V 50/60 Hz
F1.2	F1.2	F1.2	F1.2
BLK/YEL			
BLK	BLK/YEL	BLK/YEL	
BLK/RED	BLK/GRN	BLK/GRN	
S7B4			
BLK/GRN	S7B4	S7B4	

- NOTES (UNLESS OTHERWISE SPECIFIED):
- BIAS AND BALANCE ADJUSTMENT PROCEDURE:
    - OPERATE AMPLIFIER FOR AT LEAST 3 MINUTES WITH NO INPUT SIGNAL.
    - ADJUST VOLTAGE BETWEEN TP3 AND TP1 TO 90mVDC +0mVDC/-5mVDC BY R24.
    - ADJUST VOLTAGE BETWEEN TP3 AND TP2 TO 90mVDC +0mVDC/-5mVDC BY R28.
    - ADJUST VOLTAGE BETWEEN TP1 AND TP2 TO 0mVDC +/- 5mVDC BY R5.
  - ALL POWER TRANSFORMER LEAD ENDS MUST BE INSULATED WITH APPROVED HEATSHRINK TUBING.
  - ALL RESISTORS 1/2W.
  - ALL VOLTAGES MEASURED WITH RESPECT TO GROUND USING A DVM OF AT LEAST 1MΩ AC INPUT IMPEDANCE.
- TEST CONDITIONS:
- LINE VOLTAGE IS 120VAC, 60Hz.
  - VOLUME AT FULL CW.
  - TONE CONTROLS AT 12 O'CLOCK.
  - MID-CUT AT NORM.
  - SELECT AT A OR B DEPENDING ON CHANNEL.
  - BEING TESTED.
  - CHANNEL ON SWITCH.
  - MIX AT FULL CCW.
  - SIGNAL INPUT IN A/B.
  - FOOTSWITCH CONNECTED.
  - EFFECTS SWITCHES OFF.
  - 4Ω LOAD FROM MAIN SPEAKER JACK.
  - INPUT SIGNAL = 1kHz.
  - SUPPLY AND BIAS VOLTAGES MAY VARY +5%, -10%.
  - SIGNAL VOLTAGES MAY VARY ±20%.

DATABASE FILE: <b>RUMBLE2.DBF</b> CHECKED BY: DATE: APPROVED: DATE: TOLERANCES: UNLESS OTHERWISE SPECIFIED: X.X .50" X.XX .01" X.XXX .005" ANGLES .5000"	<b>PROPRIETARY</b> THIS DRAWING OR DOCUMENT CONTAINS INFORMATION WHICH IS PROPRIETARY TO AND IS THE PROPERTY OF THE FENDER MUSICAL INSTRUMENTS CO. AND MAY NOT BE USED, REPRODUCED OR COPIED IN ANY MANNER WITHOUT THE EXPRESS WRITTEN CONSENT FROM: FENDER MUSICAL INSTRUMENTS CO. 3051 REDWOOD DRIVE CORONA, CA 92726 USA NEXT HIGHER ASSEMBLY: <b>RUMBLE BASS</b>	<b>Fender</b> MUSICAL INSTRUMENTS 2621 Research Drive Corona, CA 91726 USA TITLE: <b>RUMBLE BASS</b> POWER AMPLIFIER SIZE: <b>D</b> DRAWN: F. PATRICK DATE: <b>048411</b> DRAWING NUMBER: <b>D</b> REV. ENGR: S. MARSHALL CREATED: 10-10-95 PLOTTED: 08-APR-97 SHEET 1 OF 1
--	--	--